

# Sanitary Pressure Gauge

Model No. **SS-3139 Series**

**KINS**



**SS-3139 100mm**

## Summary

This gauge is designed to guarantee the performance and the lifespan of the equipment which measures pressure of fluid which is mixed with powder that has coagulation in chemical industry such as food and various devices and lines for sanitation, etc. It also guarantees the performance and the lifespan when measuring fluid which has high corrosiveness.

### Safety Management

- Do not give impact during transportation, installation and usage
- Be sure to install the pressure gauge to be vertical and horizontal

### Purpose of Use

- Food processor, tank
- Fluid with high viscosity, temperature, pressure

### Production Specification

- ▶ Diameter
  - 100 mm
- ▶ Accuracy
  - $\pm 1.0\%$  of Full Scale
- ▶ Scale Range
  - $- 0.1 \sim 0.3 \text{ MPa} + 2 \text{ MPa}, 0 \sim 10 \text{ MPa}$
  - (※  $1 \text{ MPa} = 10.19716 \text{ kgf/cm}^2$ )
- ▶ Working Pressure
  - Static pressure : 75% of Full Scale
  - Fluctuating pressure : 60% of Full Scale
- ▶ Working Temperature
  - Ambient :  $- 20 \sim 80 \text{ }^\circ\text{C}$
  - Fluid :  $- 20 \sim 80 \text{ }^\circ\text{C}$

### Product Specification

<ul style="list-style-type: none"> <li>+ Case                             <ul style="list-style-type: none"> <li>· STS 304</li> </ul> </li> </ul>	<ul style="list-style-type: none"> <li>+ Window                             <ul style="list-style-type: none"> <li>· Tempered safety glass,</li> <li>Laminated safety glass</li> </ul> </li> </ul>	<ul style="list-style-type: none"> <li>+ Element                             <ul style="list-style-type: none"> <li>· STS 304, STS 316</li> <li>· C type bourdon tube</li> </ul> </li> </ul>
<ul style="list-style-type: none"> <li>+ Cover                             <ul style="list-style-type: none"> <li>· STS 304</li> <li>· Slip-on-Fit</li> </ul> </li> </ul>	<ul style="list-style-type: none"> <li>+ Pointer                             <ul style="list-style-type: none"> <li>· Aluminum</li> <li>· Black coating</li> </ul> </li> </ul>	<ul style="list-style-type: none"> <li>+ Movement                             <ul style="list-style-type: none"> <li>· STS 304</li> </ul> </li> </ul>
<ul style="list-style-type: none"> <li>+ Type                             <ul style="list-style-type: none"> <li>· 3139(A)-Type (Flange stationary type)</li> </ul> </li> </ul>	<ul style="list-style-type: none"> <li>+ Dial                             <ul style="list-style-type: none"> <li>· Aluminum</li> <li>· White coating</li> <li>· Black (MPa), red (bar) gradations and characters</li> </ul> </li> </ul>	<ul style="list-style-type: none"> <li>+ Diaphragm                             <ul style="list-style-type: none"> <li>· STS 304, STS 316</li> <li>· Able to produce titanium, tantalum, hastelloy, etc.</li> </ul> </li> </ul>
<ul style="list-style-type: none"> <li>+ Connection                             <ul style="list-style-type: none"> <li>· STS 316</li> <li>· See flange standard table</li> </ul> </li> </ul>		

Pressure Gauge

Differential Pressure Gauge & Switch

Accessories of Pressure Gauge

Thermometer & Thermometer Switch

Thermocouple & RTD

Thermowell

Transmitter

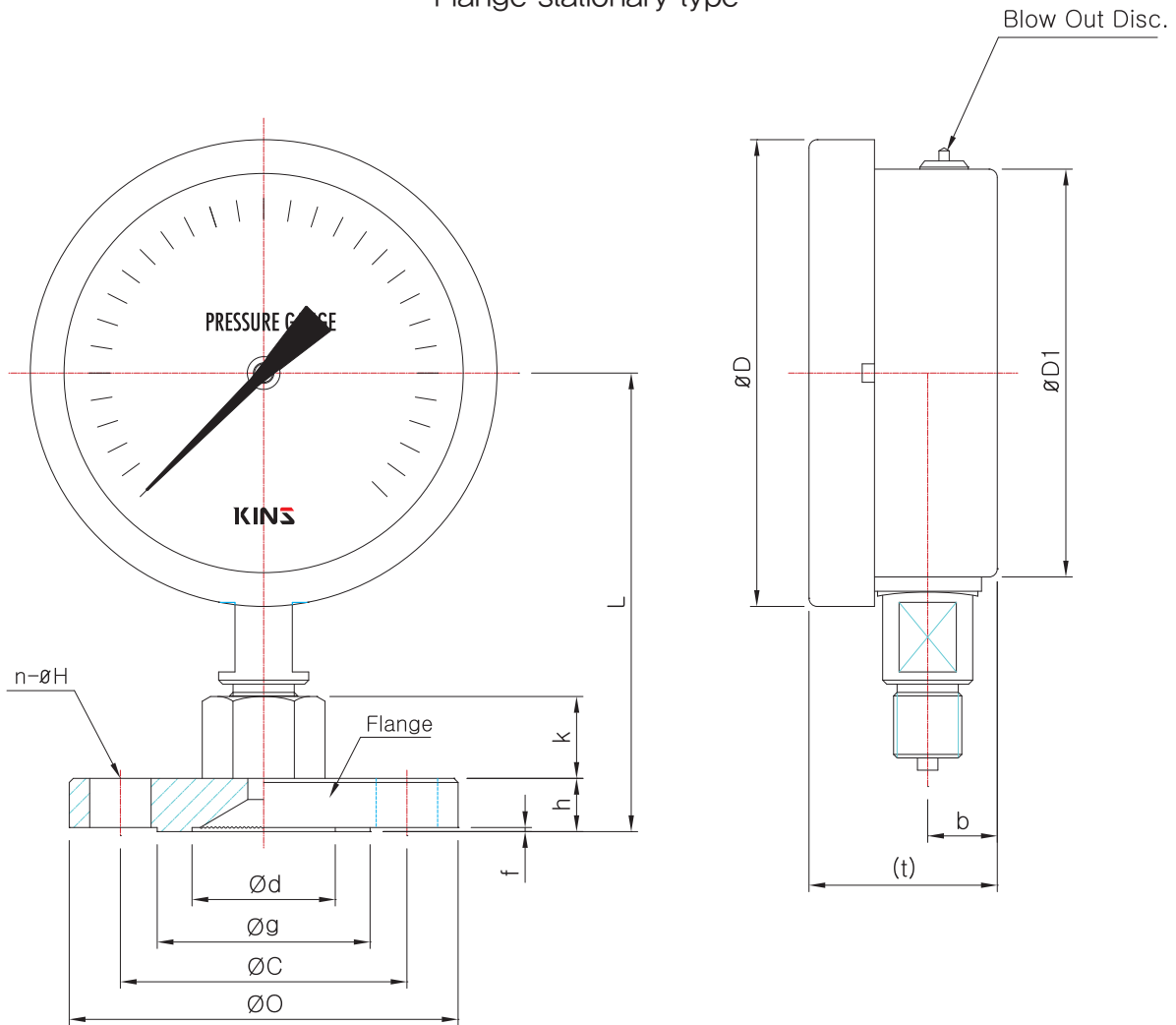
Indicator etc.

Technical data

# Sanitary Pressure Gauge

Model No. **SS-3139 Series**

Model No. | **SS-3139 (100mm)**  
Flange stationary type



## Dimensions (mm)

Model No.	ØD	ØD1	b	t	JIS 10kgf/cm <sup>2</sup> (Type)	Flange						Diaphragm Diameter Ød	k	L	
						O	C	g	f	h	n-ØH				
SS-3139	114	100	17	(46)	10A	90	65	48	1	12	4-15	35	20	106	
					15A	95	70	52	1	12	4-15	35	20	106	
					20A	100	75	58	1	14	4-15	35	47	20	108
					25A	125	90	70	1	14	4-19	35	47	50	138
					32A	135	100	80	2	16	4-19	35	47	50	140
					40A	140	105	85	2	16	4-19	35	47	50	140
					50A	155	120	100	2	16	4-19	47	50	140	
					65A	175	140	120	2	18	4-19	58	50	142	
					80A	185	150	130	2	18	4-19	70	50	142	
					100A	210	175	155	2	18	8-19	100	50	142	

\*( )The measurement in the blanket is approximate.